

# VT100 BODY-WORN CAMERA

The VT100 delivers a customisable and fully integrated enterprise mobile video solution.



## GENERAL INFORMATION

Typical Usage	Enterprise managed incident recorder for personal and site security.
Management Software	Requires VideoManager Licence or Cloud Service.
Warranty	1 year return-to-manufacturer warranty. For support relating to VideoManager, Software Assurance is required.

## SIZE AND WEIGHT

Dimensions	80 x 51 x 22 mm.
Weight	72 g.

## BATTERY

Battery	Integral, not user serviceable.
Battery Type	Lithium-ion.
Battery Recharging Times	Typically recharges in less than 5 hours.
Battery in Recording Mode	Up to 3 hours of recording, or up to 1.5 hours of live streaming & recording.
Battery capacity in standby	6 months.
Battery Overcharge Protection	VT100 has overcharge protection so cannot be overcharged and can be left in docking station.

## AUDIO

Audio Capture	Yes.
---------------	------

## CAMERA

Buttons	Two buttons on back, either of which can be used to start and stop recording.
Lens Capture Angle	130 degree field of view.

## CAMERA FEATURES

Memory Capacity	16GB.
Recording Status User Notification	Haptic and visual feedback.
Storage Media Access	Sealed unit with no user access to storage media.
Front Display Message	Display ID card with message/logo.

## VIDEO AND RECORDING

Video Recording Format	H.264.
Resolution	1280 x 720 HD.
Frame Rate	30 frames per second.
Recording Storage Capacity	16GB.

## APPROVALS AND ENVIRONMENTAL

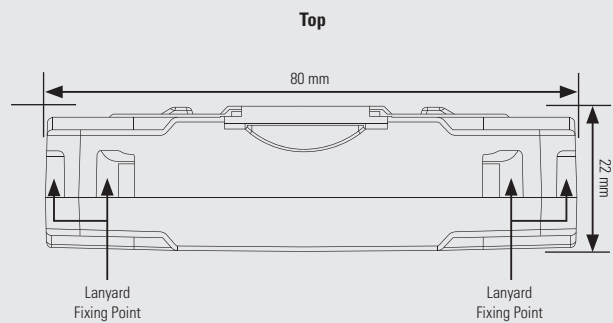
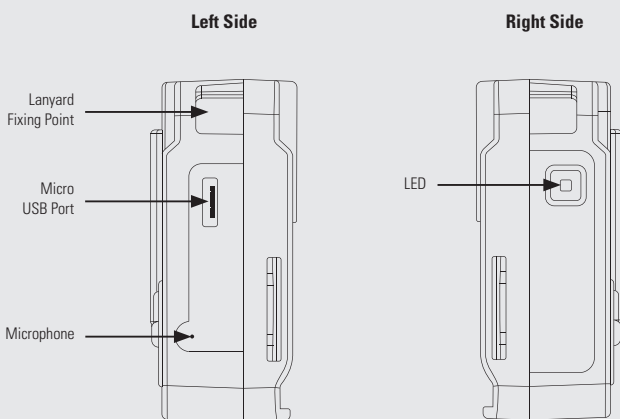
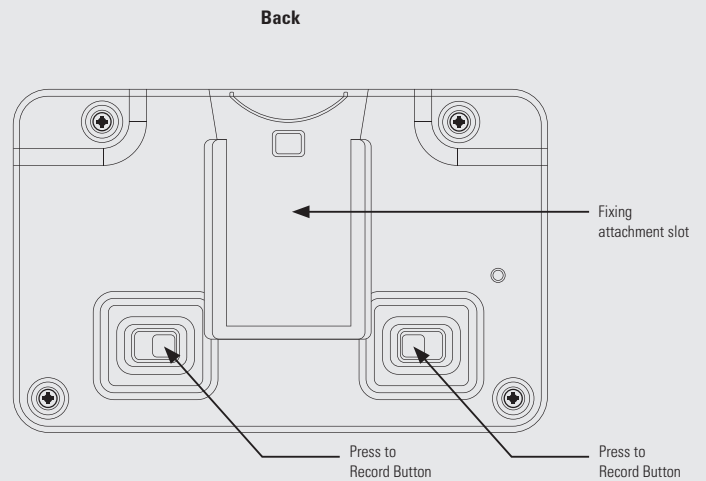
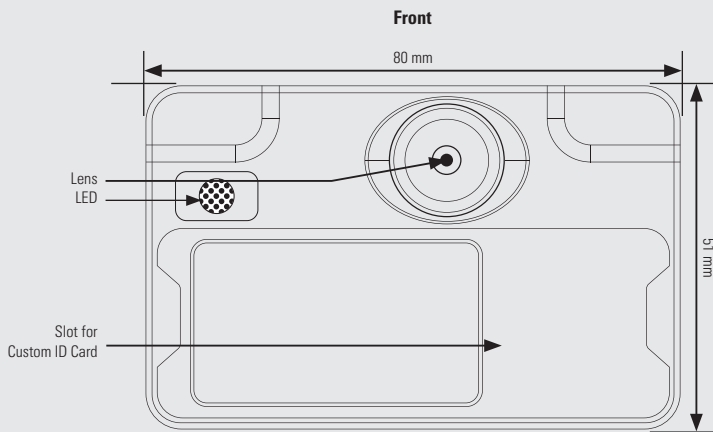
Ingress Protection	IP54.
Environmental Temperature	Operating: -20 to +40 °C.
Operational Rating	Charging: 0 to +25 °C.

## WI-FI® FEATURES

Wi-Fi Specifications	802.11 b/g/n (2.4GHz WiFi).
Wi-Fi Security	WPA2-PSK.
Wi-Fi Streaming	640x360 15fps. Compatible with ONStream.

## SECURITY

Network Data Security on USB Storage Media	VT100 does not appear as a USB storage device, and cannot receive files while connected to a Wi-Fi network.
Audit Trail	Usage, operations and recording details all audit-logged and indexed.
Recordings View, Copy and Deletion Ability	The VT100 wearer cannot access, view or delete any recordings directly from the device, or camera without appropriate authorization.
Storage Media Access	Sealed unit with no user access to storage media.



# VT-100-N & ACCESSORIES

## VT100 (VT-100-N)



### Features include:

Wi-Fi streaming, small and discreet, 16GB storage, 6 months standby (Instant Recording Mode), up to 3 hours of recording, or up to 1.5 hours of live streaming & recording, 1 year return-to-manufacturer warranty.

PLEASE NOTE: Requires VideoManager Enterprise Licence or VideoManager Cloud Service. Please speak to your account manager for further details.

**PART NUMBER:** VT-100-N



## CHARGERS, DOCKCONTROLLERS, RFIDS & CUSTOM DISPLAY FRONT-PANEL ID CARD

VT-100-SOLO	VT100 1-Port Dock (2.0m USB Cable Included)
VT-100-SOLO-050	VT100 1-Port Dock (0.5m USB Cable Included)
VT-100-DOCK7/UK, VT-100-DOCK7/EU, VT-100-DOCK7/ROW	VT100 7-Port Dock*
VT-100-DOCK14/UK, VT-100-DOCK14/US, VT-100-DOCK14/ROW, VT-100-DOCK14/EU, VT-100-DOCK14/AUS	VT100 14-Port Dock
DC-200/UK, DC-200/EU, DC-200/US, DC-200/AUS, DC-200/ROW	DockController DC-200
RF-220	RFID RF-220
RF-STICKER-10	RFID Sticker-Style Tag (x10)
RF-CARD-10	RFID Card (x10)
VT-100-ID-CUS-ART	Custom VT100 Front-panel ID Card (Design)
VT-100-ID-CUS-250, VT-100-ID-CUS-1000, VT-400-ID-CUS-5000	Custom VT100 Front-panel ID Card (Design) Can be ordered in the following amounts: 250, 1000, 5000



## ATTACHMENTS, LANYARDS & REPLACEMENT CABLES

VT-100-FIX-ALIG	VT100 Rotatable Long Alligator Clip
VT-100-FIX-EP	VT100 Epaulette (Shoulder) Clip
VT-100-FIX-SPORT	VT100 Sports Camera Pillar
VT-100-FIX-KF-ALT	VT100 Klick Fast Stud
AC-USB-MICROB-100	Replacement Micro USB Cable
AC-USB-DOCK-200, AC-USB-DOCK-050	Replacement USB Type A to USB Type B Cable (0.5m, 2.0m)
AC-LANYARD-05	Lanyard with 5 Breakpoints and 2 Loops



### KLICK FAST FIXINGS

Klick Fast Fixings are compatible with the **VT-100-N** when used in conjunction with the **VT-100-FIX-KF-ALT** attachment.

KF-SCREW	Klick Fast Uniform Screw-on Dock
KF-LOOP	Klick Fast Radio Loop Dock
KF-DOCKCLAMP	Klick Fast Dock Clamp (Pocket Klick Fast Dock)
KF-DOCKEP	Klick Fast Dock Epaulette
KF-MAGMOUNT	Klick Fast Magnetic Mounting Set (Supplied w/o Magnets)
KF-MOLLEVEST	Klick Fast Dock for MOLLE Vests



### KLICK FAST HARNESSES

Klick Fast Harnesses are compatible with the **VT-100-N** when used in conjunction with the **VT-100-FIX-KF-ALT** attachment.

KF-HARN3	Klick Fast 3-Point Chest Harness
KF-HARN4	Klick Fast 4-Point Chest Harness
KF-HARN5	Klick Fast Shoulder Harness

For more information, please visit: [www.motorolasolutions.com/BWC](http://www.motorolasolutions.com/BWC)

Motorola Solutions Ltd. Nova South, 160 Victoria Street, London, SW1E 5LB, United Kingdom

Availability is subject to individual country law and regulations. All specifications shown are typical unless otherwise stated and are subject to change without notice. MOTOROLA, MOTO, MOTOROLA SOLUTIONS and the Stylized M Logo are trademarks or registered trademarks of Motorola Trademark Holdings, LLC and are used under license. All other trademarks are the property of their respective owners.  
© 2020 Motorola Solutions, Inc. All rights reserved. (07/20) (ED-002-023-07)



Unit 66 Honeyborough Business Park  
Neyland, Pembrokeshire, SA73 1SE

01834 889 180 [www.communic8hire.com](http://www.communic8hire.com)